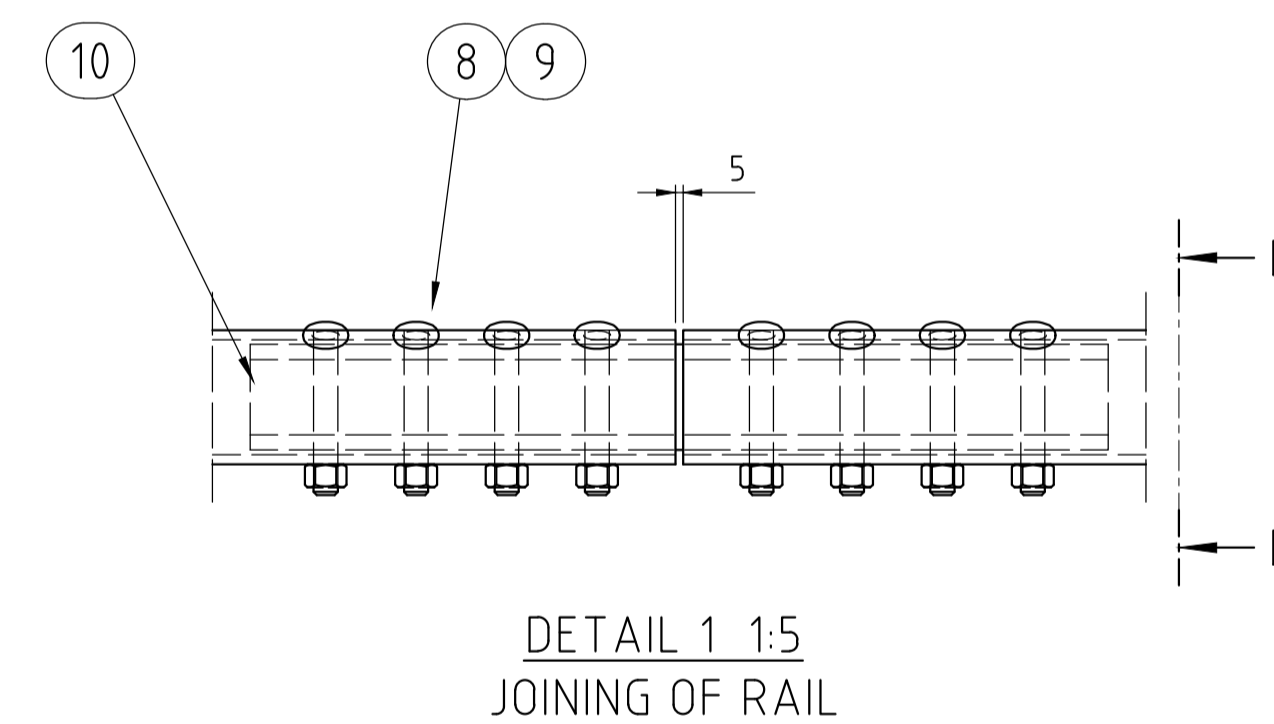
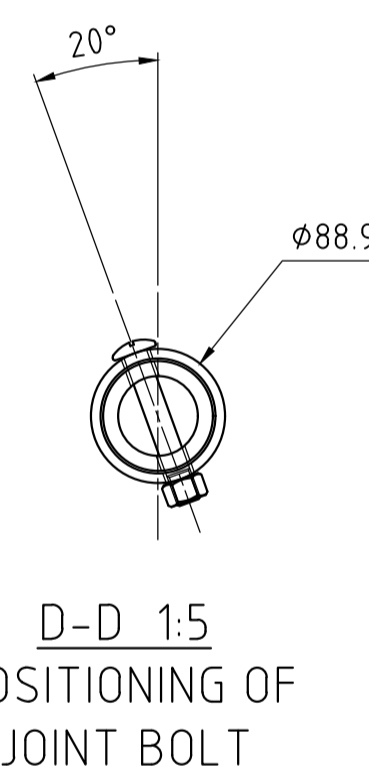
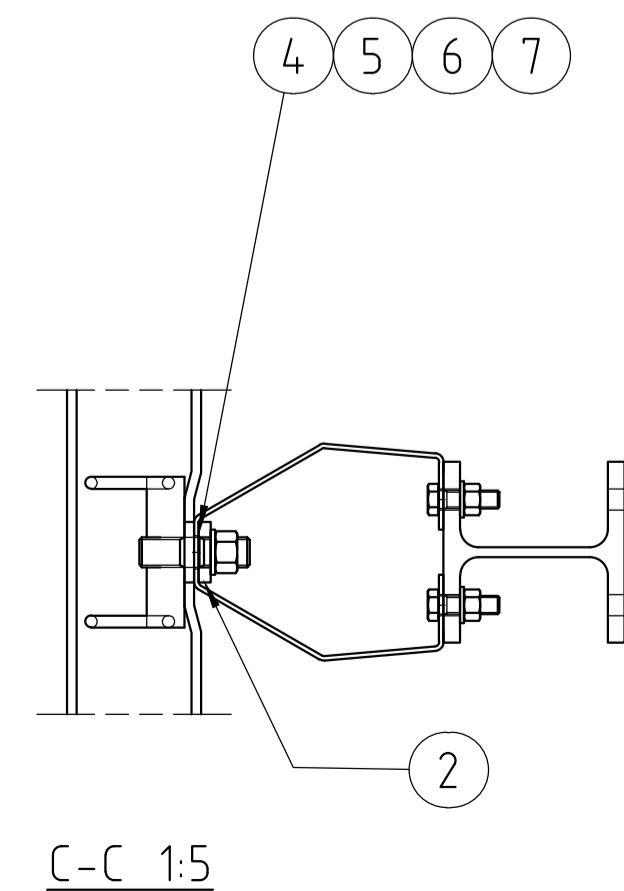
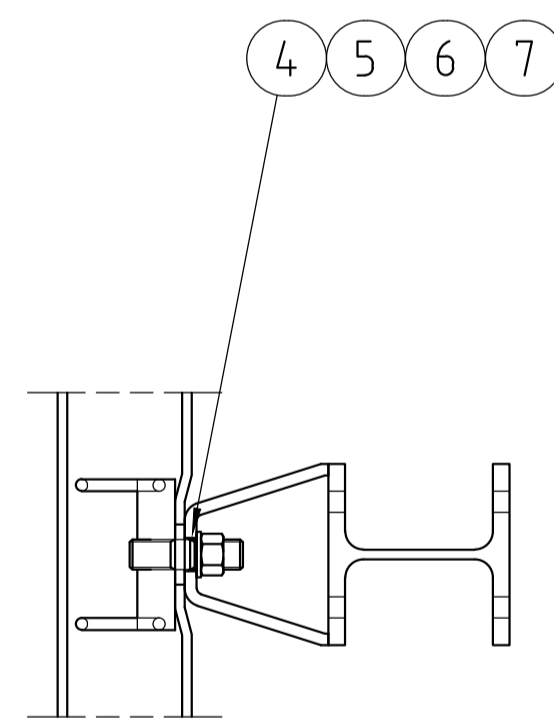
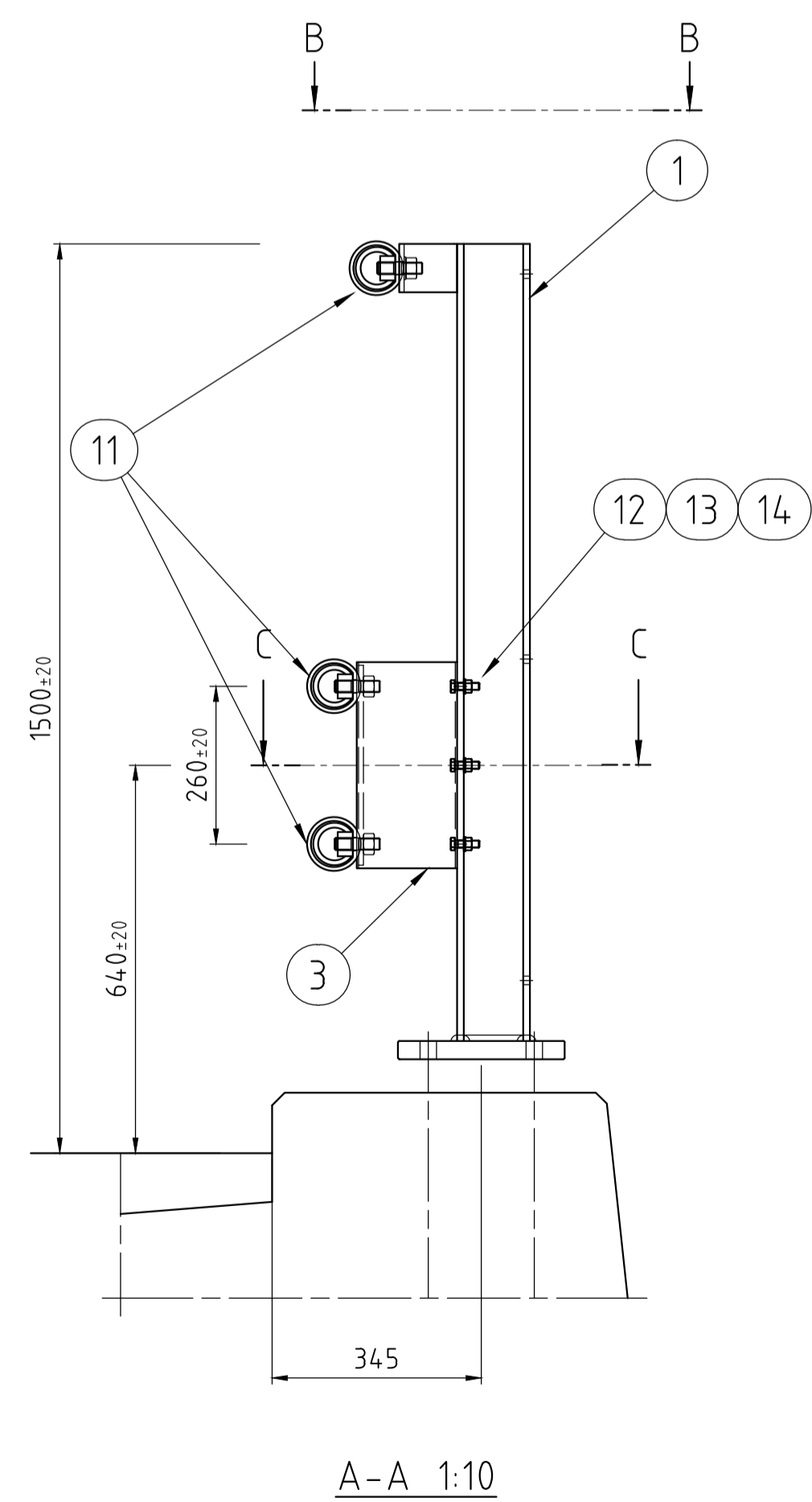


REGULATIONS

PERFORMANCE AND ASSEMBLING ACC TO CEN EN 1317

LEGENDS

HDG HOT DIP GALVANISING



Item No.	Description	Material	Dimension	Note
13	HEX NUT	8	HDGM12	
14	WASHER	8	HDG 14 x 24	
12	BOLT	8.8	HDGM12 x 40	
11	TOP AND GUARD RAIL	HDG		No. 834.01306-CE
10	JOINT TUBE	HDG		No. 893030-CE
9	MUSHROOM HEAD BOLT	8.8	HDGM16x105	
8	HEX NUT	8	HDGM16	
7	HEX NUT	8	HDGM20	
6	WASCHER ROUND	HDG	21x36x3	
5	THREADED ANCHORAGE	HDGM20		No. 834.012 -CE
4	PIN BOLT	8.8	HDGM20 x 75	
3	ABSORPTION ELEMENT	HDG		No. 894.020-CE
2	WASHER RECT.	HDG		No. 894.001-CE
1	POST	HDG	HE 120 B	No. 895101-CE

This document is the property of Birstaverken AB and may not, without written permission from Birstaverken AB, be copied, imparted to a third party or used for any other unauthorized purpose

**bv birstaverken ab**  
 Tel: 080 - 52 72 00 Fax: 080 - 52 72 15, 52 72 18

DRAWN: GLN CONTROL: ORDER NUMBER: 2012-12-19

STATUS: CE-DOCUMENT

Birsta 3P H4 BRIDGE  
 VEHICAL PARAPET

SCALE: 1:50  
 PROJECT: DRAWING NO: 895000-CE REV: