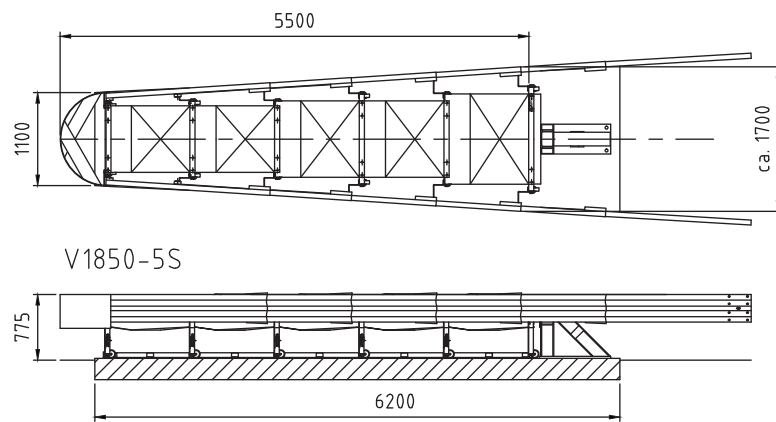
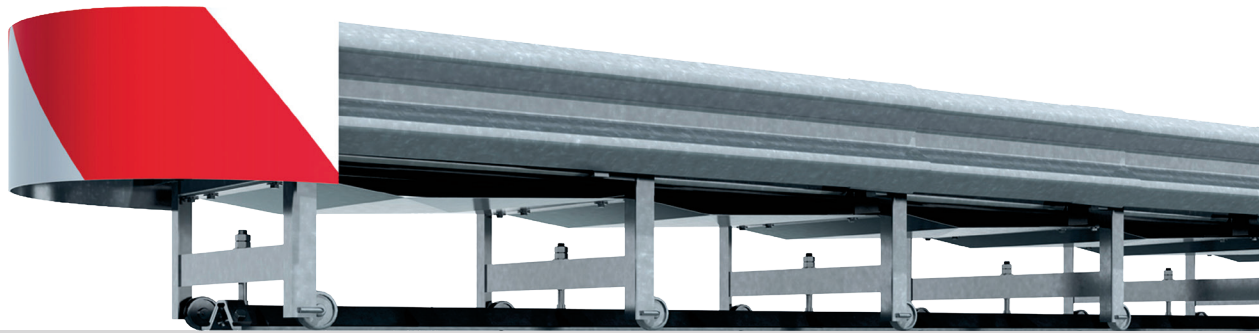


Crashguard V1850-5S

D1 · Z1 · A



TECHNICAL SPECIFICATIONS

Max impact speed (km/h)	80
Redirection zone	Z1
Displacement class	D1
ASI	A
System width (m)	1.70
System length (m)	5.50
System shape	V-shape
Tested system foundation / installation	Concrete Steel