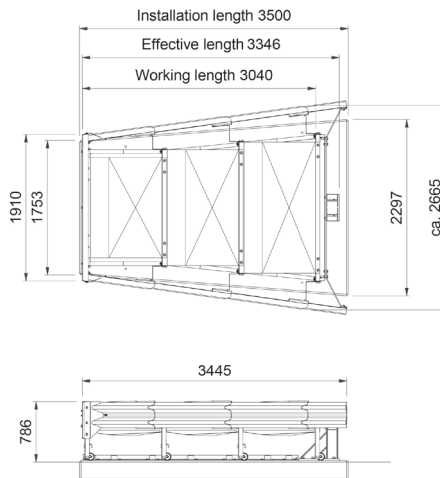


Crashguard V2700-3S

D1 · Z1 · B



TECHNICAL SPECIFICATIONS

Max impact speed (km/h)	80
Redirection zone	Z1
Displacement class	D1
ASI	B
Working length (m)	3.04
Effective length (m)	3.35
System width nose (m)	1.91
System width back (m)	2.70
System shape	V-shape
Tested system foundation / installation	Concrete Steel